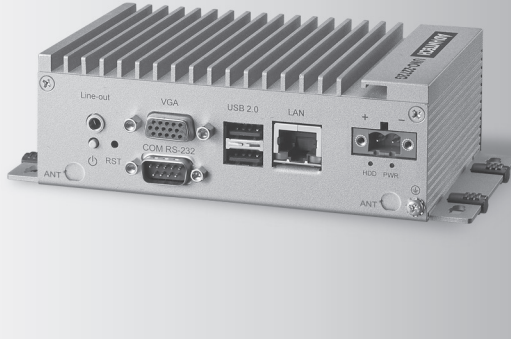


UNO-2272G

Intel® Atom™/Celeron Palm-Size Automation Computer with 1 x GbE, 2 x mPCIe, VGA/HDMI

NEW



Features

- Intel® Atom™ N2800/J1900 Processors up to 2.41 GHz with 2GB DDR3/DDR3L Memory
- 1 x GbE, 3 x USB 2.0/3.0, 1 x RS-232, 1 x VGA or HDMI, Audio
- Comprehensive Palm, Small, Regular-size form-factor
- Compact with Fanless Design
- Rubber Stopper Design with Captive Screw
- Diverse system I/O and Isolated Digital I/O by iDoor Technology
- Supports Fieldbus Protocol by iDoor Technology
- 3G/GPS/GPRS/Wi-Fi Communication by iDoor Technology
- Supports MRAM by iDoor Technology
- Chassis Grounding Protection

Introduction

Advantech's UNO-2000 series of Embedded Automation Computers are Fanless with highly ruggedized with an embedded operating system (Linux-Embedded). It also includes iDoor technology which supports automation feature extensions such as industry fieldbus communication, Wi-Fi/3G, Digital I/O, including Palm, Small, and Regular-size Form-Factors with indicated market segments in terms of entry, value and performance product positioning. Both entry and value Embedded Automation Computers feature specific functions and they are suitable for data gateway, concentrator and data server applications. The performance model can shorten your development time and offer multiple networking interfaces to fulfill a diverse range of requirements.

Specifications

General

- Certification** CE, FCC, UL, CCC, BSMI
- Dimensions (W x D x H)** 157 x 88 x 50 mm (6.2" x 3.5" x 2.0")
- Form Factor** Palm Size
- Enclosure** Aluminum Housing
- Mounting** Stand, Wall, VESA (Optional), DIN-Rail (Optional)
- Weight (Net)** 0.8 kg (1.76 lbs)
- Power Requirement** 24VDC ± 20%
- Power Consumption** 12W (Typical), 20W (Max)
- OS Support** Microsoft® Windows 7, WES7, Advantech Linux

System Hardware

- BIOS** AMI EFI64 Mbit
- Watchdog Timer** Programmable 256 levels timer interval, from 1 to 255 sec
- Processor** Intel Atom Dual Core N2800 1.86 GHz
Intel Celeron Quad Core J1900 2 GHz
- System Chip** Intel Atom SoC integrated
- Memory** Built-in 2GB DDR3 1600 MHz for UNO-2272G-N2AE
Built-in 2GB DDR3L 1333 MHz for UNO-2272G-J2AE
- Graphics Engine** Intel® HD Graphics
- Ethernet** Intel 82583V GbE, 802.10av, IEEE1588/802.1AS, 803.3az for UNO-2272G-N2AE
Intel i210 GbE, 802.10av, IEEE1588/802.1AS, 803.3az for UNO-2272G-J2AE
- LED Indicators** LEDs for Power, HDD, LAN (Active, Status)
- Storage** 1 x half-size mSATA for UNO-2272G-J2AE
1 x full-size mSATA for UNO-2272G-N2AE
Supports HDD/SSD by project
- Expansion** 1 x Full-size mPCIe slot, 1 x Half-size mPCIe slot, mPCIe Rev. 2.0 for UNO-2272G-N2AE
2 x Full-size mPCIe slot, mPCIe Rev. 2.0 for UNO-2272G-J2AE

I/O Interfaces

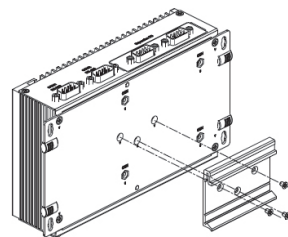
- Serial Ports** 1 x RS-232, DB9, 50-115.2kbps for UNO-2272G-N2AE
1 x RS-232 (RS-422/485 by BIOS option), DB9, 50-115.2kbps for UNO-2272G-J2AE
- LAN Ports** 1 x RJ45, 10/100/1000 Mbps IEEE 802.3u 1000Base-T Fast Ethernet
- USB Ports** 3 x USB 2.0 for UNO-2272G-N2AE
2 x USB 2.0 and 1 x USB 3.0 for UNO-2272G-J2AE
- Displays** 1 x VGA, supports 1920x1200 @ 60Hz 24bpp for UNO-2272G-N2AE
1 x HDMI, supports 1920 x 1080 @ 60Hz for UNO-2272G-J2AE
- Audio** Line-Out
- Power Connector** 1 x 2 Pins, Terminal Block
- Grounding Protection** Chassis Grounding

Environment

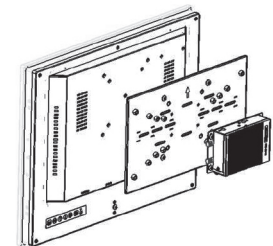
- Operating Temperature** -20 ~ 60°C (-4 ~ 140°F) @ 5 ~ 85% RH with 0.7 m/s airflow for UNO-2272G-N2AE
-10 ~ 55°C (14-131) @ 5 ~ 85% RH with 0.7 m/s airflow for UNO-2272G-J2AE
- Storage Temperature** -40 ~ 85°C (-40 ~ 185°F)
- Relative Humidity** 10 ~ 95% RH @ 40°C, non-condensing
- Shock Protection** Operating, IEC 60068-2-27, 50G, half sine, 11 ms
- Vibration Protection** Operating, IEC 60068-2-64, 2 Grms, random, 5 ~ 500 Hz, 1hr/axis (mSATA) IP40
- Ingress Protection** IP40

Installation Scenario

DIN-Rail Mount Illustration

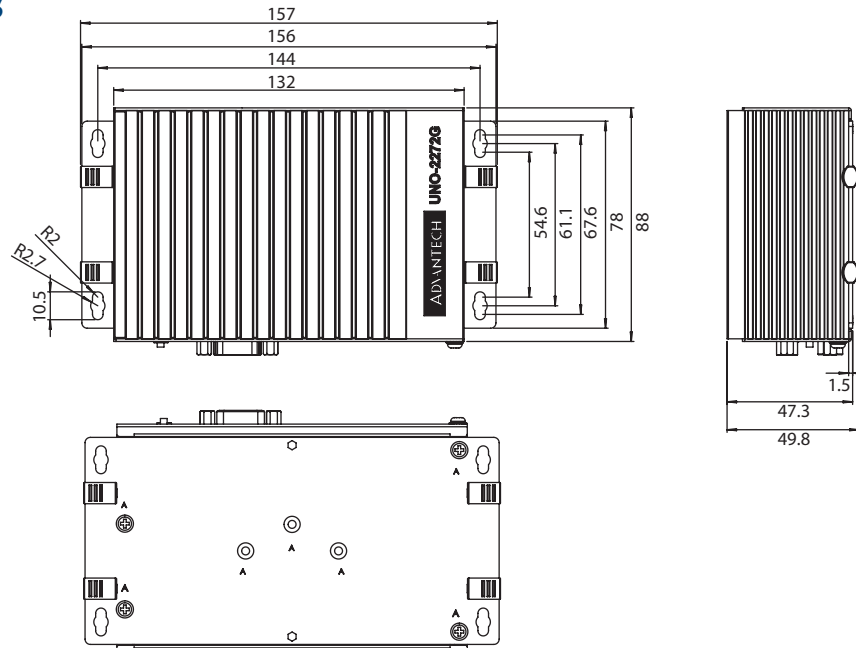


VESA Mount Illustration



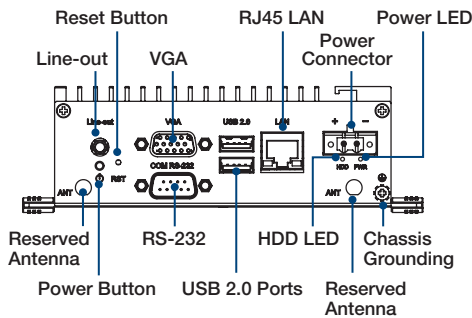
Dimensions

Unit: mm

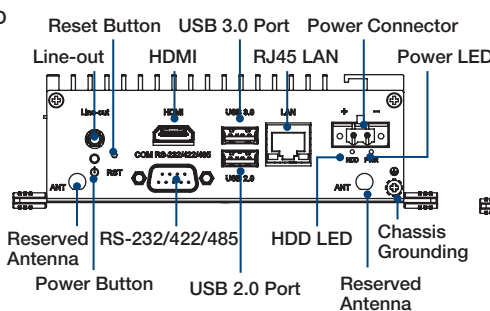


Front I/O View

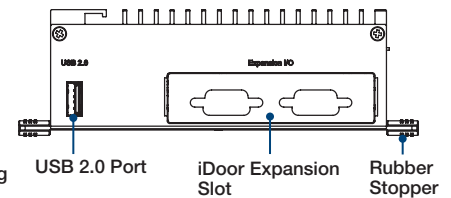
UNO-2272G-N2AE



UNO-2272G-J2AE



Rear I/O View



Ordering Information

- UNO-2272G-N2AE Intel Atom N2800 1.86GHz, 2GB, 1xLANs, 2xmPCIe
- UNO-2272G-J2AE Intel Atom J1900 2.41GHz, 2GB, 1xLANs, 2xmPCIe

iDoor Modules

- PCM-24S2WF-AE 802.11 a/b/g/n 2T2R w/ Bluetooth4.0, Half-size mPCIe, 2-port SMA
- PCM-24U2U3-AE 2-Port USB 3.0, mPCIe, USB-A type
- PCM-24R2GL-AE 2-Port Gigabit Ethernet, mPCIe, RJ45
- PCM-24D2R2-AE 2-Port Isolated RS-232 mPCIe, DB9
- PCM-24D4R4-AE 4-Port Non-Isolated RS-422/485 mPCIe, DB37
- PCM-24R1TP-AE 1-Port Gigabit Ethernet, Intel® 82574L, mPCIe, RJ45
- PCM-27D24DI-AE 24-Channel Isolated Digital I/O w/ counter mPCIe, DB37
- PCM-26D1DB-MAE 1-Port Hilscher netX100 FieldBus mPCIe, PROFIBUS, DB9, Master
- PCM-26D1DB-SAE 1-Port Hilscher netX100 FieldBus mPCIe, PROFIBUS, DB9, Slave
- PCM-26R2PN-MAE 2-Port Hilscher netX100 FieldBus mPCIe, PROFINET, RJ45, Master
- PCM-26R2PN-SAE 2-Port Hilscher netX100 FieldBus mPCIe, PROFINET, RJ45, Slave

Optional Accessories

- 96PSA-A60W24T2 60WC to DC UNO series power adapter (Industrial Grade)
- 1702002600 Power Cable US Plug 1.8 M (Industrial Grade)
- 1702002605 Power Cable EU Plug 1.8 M (Industrial Grade)
- 1702031801 Power Cable UK Plug 1.8 M (Industrial Grade)
- 1700000596 Power Cable China/Australia Plug 1.8 M (Industrial Grade)
- 1700001524 Power Cable 3-pin US type 1.8 M (Commercial Grade)
- 170203183C Power Cable 3-pin EU type 1.8 M (Commercial Grade)
- 170203180A Power Cable 3-pin UK type 1.8 M (Commercial Grade)
- UNO-2000G-DMKAE UNO-2000 DIN Rail Kit
- UNO-2000G-VMKAE UNO-2000 VESA Mount Kit

Embedded O/S

- 2070013098 Image WES7P X86 MUI. V4.12 B001 for UNO-2272G-Nx

S/W Bundle Offering

- WA-HU2272G-J15H2AE UNO-2272G-J2AE, HMI Runtime 1500 tags, 32G mSATA, WES7P