

PCE-3B03-00 Backplane: 3 Slot PICMG1.3 Half-size BP, 1 x PCIe x16, 1 x PCIe x4 Startup Manual

Packing List

Before you begin installing your card, please make sure that the following items have been shipped:

- PCE-3B03-00 User Manual 2nd ed. p/n: 20023B0311
- 2-year quality warranty card p/n: 2190000902

If any of these PCE-3B03-00 items are missing or damaged, please contact your distributor or sales representative immediately.

Specifications

Standard Functions

- **PICMG 1.3 slots:** PCE-3B03-00 supports PICMG1.3 half-sized SHB
- **PCIe slots:** PCE-3B03-00 supports one PCIe x16, one PCIe x4

Mechanical and Environmental

- **Dimensions:** 176 X 142.17 mm
- **Power supply voltage:** +12 V, +5 V, -12 V, +3.3 V +5VSBY
- **Power requirements:** Refer to the CPU board, add-on card & peripherals
- **Operating temperature:** 0 ~ 60 °C
- **Weight:** 0.2 kg (weight of board)

For more information on this and other Advantech products, please visit our website at:

<http://www.advantech.com>

<http://www.advantech.com/eplatform>

For technical support and service, please visit our support website at:

<http://www.advantech.com/support>

This manual is for the PCE-3B03-00 series Rev. A1.

Part No. 20023B0311
Printed in China

2nd Edition,
July 2013

Connectors and Jumpers

The backplane has a number of connectors and jumpers that allow you to configure your system to suit your application. The table below lists the function of each of the jumpers and connectors:

Connectors	
Label	Function
SHBA1~SHBB1	PICMG1.3 CPU board slot
PCIEX16_1	PCIe x16 slot
PCIEX4_1	PCIe x4 slot
EATXPWR1	ATX2.0 24-pin power connector
ATX12V1	ATX 12V 4-pin power connector
VOLT1	Alarm board / CMM power connector
FAN1	FAN connector
FAN2	FAN connector
FAN3	Reserved
SMBUS1	SMBus connector for chassis monitor
JFP1	Power and reset button connector

Jumpers	
Label	Function
PSON1	ATX / AT mode selection
JFAN_CTRL1	System smart fan control

EATXPWR1	
Pin	Name
1	3.3 V
2	3.3 V
3	GND
4	5 V
5	GND
6	5 V
7	GND
8	Power OK
9	5 V SBY
10	12 V
11	12 V

12	3.3 V
13	3.3 V
14	-12 V
15	GND
16	PSON#
17	GND
18	GND
19	GND
20	-5 V
21	5 V
22	5 V
23	5 V
24	GND

ATX12V1	
Pin	Name
1	GND
2	GND
3	12 V
4	12 V

VOLT1	
Pin	Name
1	5 V SBY
2	GND
3	GND
4	-5 V
5	5 V
6	3.3 V
7	-12 V
8	12 V

FAN1 - FAN3	
Pin	Name
1	GND
2	12 v
3	FANIO1~FANIO3

SMBUS1	
Pin	Name
1	5 V
2	C-SMBCLK
3	C-SMBDAT
4	GND

JFP1	
Pin	Name
1	PWRBTN
2	GND
3	RESET
4	GND

PSON1: ATX/AT Mode Selection	
Jumper Setting	Function
1-2	AT mode
2-3 (Default)	ATX mode



JFAN_CTRL1: System Smart Fan Control	
Jumper Setting	Function
1-2 (Default)	Smart fan
2-3	Full speed fan



Locating Connectors and Jumpers

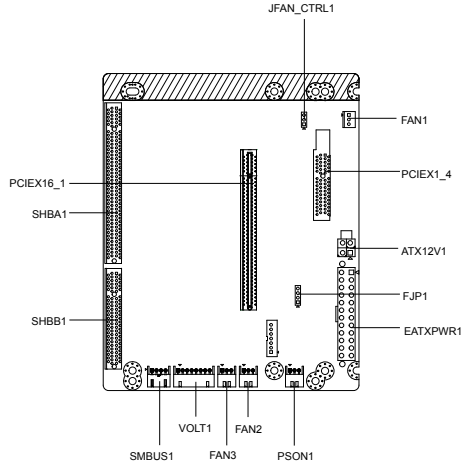


Figure 1: Locating Connectors and Jumpers

Board Dimensions

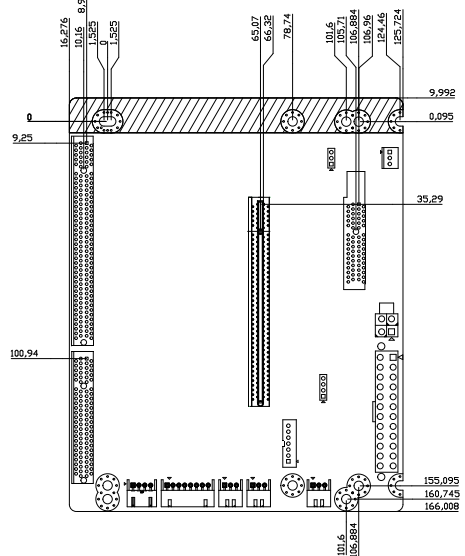


Figure 2: Mechanical Drawing

Board Diagram

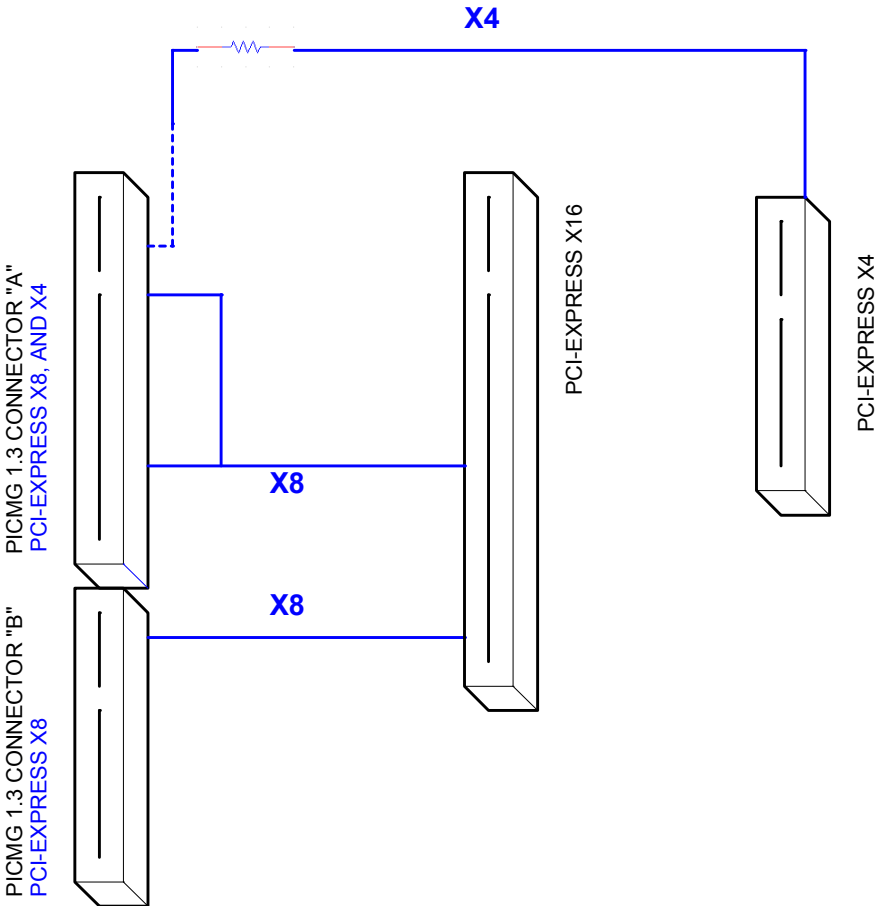


Figure3: PCE-3B03-00 Board Diagram

PCE-3B03-01 Backplane: 3 Slot PICMG1.3 BP, PCI*1, PCIe x16*1

Startup Manual

Packing List

Before installing your card, please ensure that the following items have been shipped:

- PCE-3B03-01 User Manual 1st edition p/n: 20063B0310
- Two-year quality warranty card p/n: 2190000902

If either of the above items are missing or damaged, please contact your distributor or sales representative immediately.

Specifications

Standard Functions

- **PICMG 1.3 slots:** PCE-3B03-01 supports PICMG1.3 half-sized SHB
- **PCIe slots:** PCE-3B03-01 supports one PCIe x16 and one PCI

Mechanical and Environmental

- **Dimensions:** 173 x 86.3 mm
- **Power supply voltage:** +12 V, +5 V, -12 V, +3.3 V, and +5VSBY
- **Power requirements:** Refer to the CPU board, add-on card, and peripherals
- **Operating temperature:** 0 ~ 60 °C
- **Weight:** 0.104 kg (weight of board)

For more information about this or other Advantech products, please visit our website at

<http://www.advantech.com>

<http://www.advantech.com/eplatform>

For technical support and service, please visit our support website at

<http://support.advantech.com/>

This manual is for the PCE-3B03-01 series, Revision A1.

Part No. 20063B0310
Printed in China

1st Edition
September 2014

Connectors and Jumpers

The backplane features several connectors and jumpers that allow the system to be configured for specific applications. The function of each jumper and connector is listed in the table below.

Connectors	
Label	Function
SHBA1~SHBB1	PICMG1.3 CPU board slot
PPCIEX16_1	PCIe x16 slot
PPCI1	PCI slot
EATXPWR1	ATX2.0 24-pin power connector
ATX12V1	ATX 12 V 4-pin power connector
FAN1	FAN connector
FAN2	FAN connector
FAN3	Reserved
SMBUS1	SMBus connector for chassis monitoring
JFP1	Power and reset button connector

Jumpers	
Label	Function
PSON1	ATX / AT mode selection
JFAN_CTRL1	System smart fan selection
JM66EN1	33 MHz / 66 MHz selection

ATX12V1	
Pin	Name
1	GND
2	GND
3	12 V
4	12 V

Connectors and Jumpers (Cont.)

EATXPWR1	
Pin	Name
1	3.3 V
2	3.3 V
3	GND
4	5 V
5	GND
6	5 V
7	GND
8	Power OK
9	5 V SB
10	12 V
11	12 V
12	3.3 V
13	3.3 V
14	-12 V
15	GND
16	PSON#
17	GND
18	GND
19	GND
20	-5 V
21	5 V
22	5 V
23	5 V
24	GND

Connectors and Jumpers (Cont.)

FAN1 - FAN3

Pin	Name
1	GND
2	+12 V_FAN
3	NC

SMBUS1

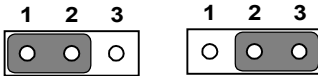
Pin	Name
1	5 V
2	C-SMBBUS
3	C-SMBDAT
4	GND

JFP1

Pin	Name
1	PWRBTN
2	GND
3	RESET
4	GND

PSON1: ATX / AT Mode Selection

Jumper Setting	Function
1-2	AT mode
2-3 (Default)	ATX mode



JFAN_CTRL1: System Smart Fan Selection

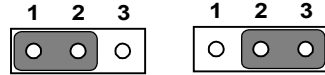
Jumper Setting	Function
1-2 (Default)	System smart fan
2-3	System full-speed fan



Connectors and Jumpers (Cont.)

JM66EN1: 33 MHz / 66 MHz Selection

Jumper Setting	Function
1-2	66 MHz
2-3 (Default)	33 MHz



Locating Connectors and Jumpers

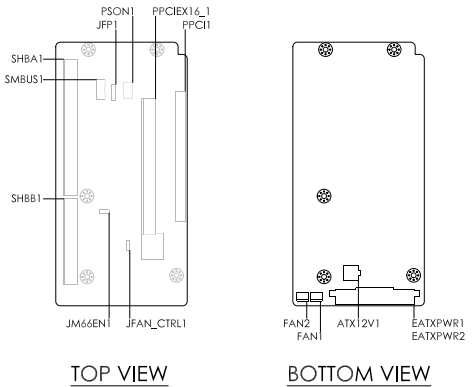


Figure 1. Locating Connectors and Jumpers

Board Diagram

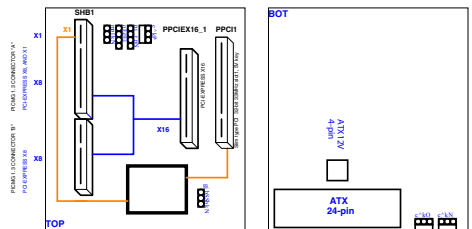


Figure 2. PCE-3B03-01 Board Diagram

Board Dimensions

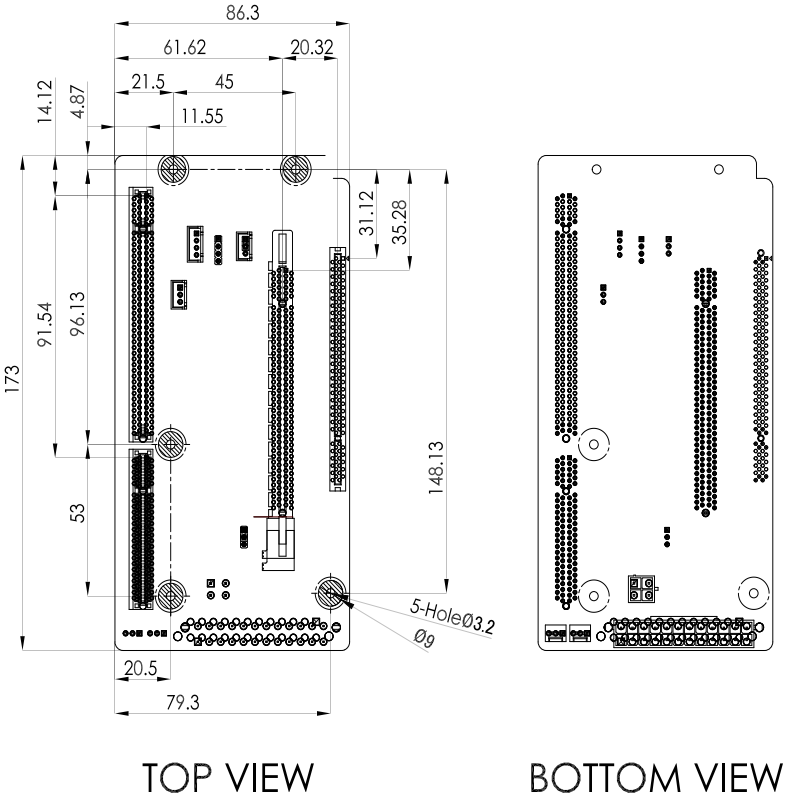


Figure 3. Mechanical Drawing

PCE-3B03A-00 Backplane: 3 Slot PICMG1.3 Half-size BP, 1 PCIe x16, 1 PCIe x4 Startup Manual

Packing List

Before you begin installing your card, please make sure that the following items have been shipped:

- PCE-3B03A-00 User Manual 1st.ED p/n: 20063B0300
- 2 years quality warranty card p/n: 2190000902

If any PCE-3B03A-00 of these items are missing or damaged, please contact your distributor or sales representative immediately.

Specifications

Standard Functions

- **PICMG 1.3 slots:** PCE-3B03A-00 supports PICMG1.3 half-sized SHB
- **PCIe slots:** PCE-3B03A-00 supports one PCIe x16, one PCIe x4

Mechanical and Environmental

- **Dimensions:** 173 x 86.3 mm
- **Power supply voltage:** +12 V, +5 V, -12 V, +3.3 V +5VSBY
- **Power requirements:** Refer to the CPU board, add-on card & peripherals
- **Operating temperature:** 0 ~ 60° C
- **Weight:** 0.104 kg (weight of board)

For more information on this and other Advantech products, please visit our website at:

<http://www.advantech.com>

<http://www.advantech.com/eplatform>

For technical support and service, please visit our support website at:

<http://www.advantech.com/support>

This manual is for the PCE-3B03A-00 series Rev. A1.

Part No. 20063B0300
Printed in China

1st Edition,
Dec. 2012

Connectors and Jumpers

The backplane has a number of connectors and jumpers that allow you to configure your system to suit your application. The table below lists the function of each of the jumpers and connectors:

Connectors	
Label	Function
SHBA1~SHBB1	PICMG1.3 CPU board slot
PCIEX16_1	PCIe x16 slot
PCIEX4_1	PCIe x4 slot
EATXPWR1	ATX2.0 24-pin power connector
ATX12V1	ATX 12 V 4-pin power connector
FAN1	FAN connector
FAN2	FAN connector
FAN3	Reserved
SMBUS1	SMBus connector for chassis monitor
JFP1	Power and reset button connector

Jumpers	
Label	Function
PSON1	ATX / AT mode selection
JFAN_CTRL1	System smart fan selection

ATX12V1	
Pin	Name
1	GND
2	GND
3	12 V
4	12 V

EATXPWR1	
Pin	Name
1	3.3 V
2	3.3 V
3	GND
4	5 V
5	GND
6	5 V
7	GND
8	Power OK
9	5 V SB
10	12 V
11	12 V
12	3.3 V
13	3.3 V
14	-12 V
15	GND
16	PSON#
17	GND
18	GND
19	GND
20	-5 V
21	5 V
22	5 V
23	5 V
24	GND

Connectors and Jumpers

FAN1 - FAN3

Pin	Name
1	GND
2	+12 V_FAN
3	NC

SMBUS1

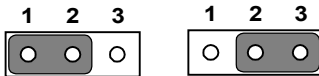
Pin	Name
1	5 V
2	C-SMBBUS
3	C-SMBDAT
4	GND

JFP1

Pin	Name
1	PWRBTN
2	GND
3	RESET
4	GND

PSON1: ATX/AT Mode Selection

Jumper Setting	Function
1-2	AT mode
2-3 (Default)	ATX mode



JFAN_CTRL1: System smart fan selection

Jumper Setting	Function
1-2	System smart fan
2-3 (Default)	System full speed fan



Locating Connectors and Jumpers

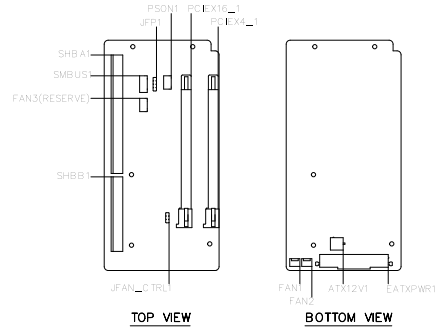


Figure1: Locating Connectors and Jumpers

Board Diagram

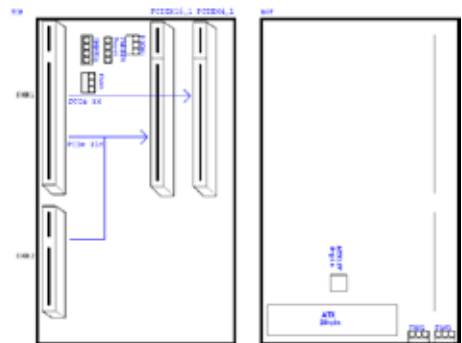


Figure2: PCE-3B03A-00 Board Diagram

Board Dimensions

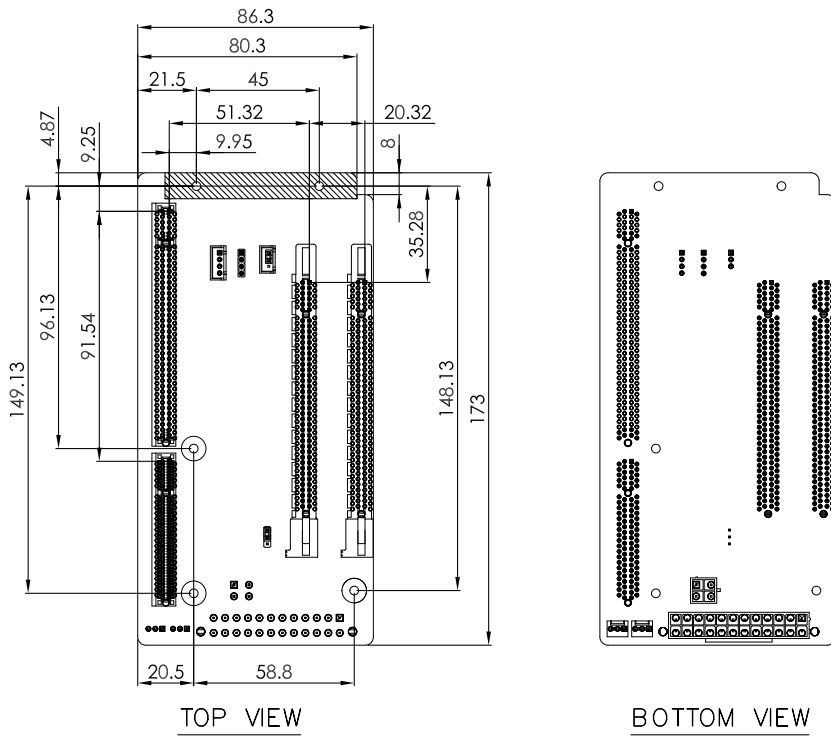


Figure 3: Mechanical Drawing