

IPPC-6152 IPPC-6172 IPPC-6192

15" XGA/17" SXGA/19" SXGA TFT LCD LED Backlight Core™ i7/i5/i3 Industrial Panel PC

NEW



Introduction

The IPPC-6000A Series is an Industrial Panel PC with front USB access, supports the powerful Haswell platform Core™ i7/i5/i3, high speed DDR3 memory, up to 32 GB, two expansion PCI slots. The processor and chipset combination form the foundation of vPro, Intel's next generation digital office platform, offering remote out-of-band manageability, improved security, and energy efficient performance. Two SATA hard driver interface with RAID 0,1 support provides data security. Multi function optional –CFast ,PCI/ PCIe expansion,DVD-ROM which offers great flexibility for application specific requirements.Rugged Metal &IP65 Flat-Sealed Front provide excellent durability in harsh environment. With optional mounting accessories, from panels to racks,it can be mounted anywhere.

Specifications

General

- **BIOS** AMI 64 MB Flash BIOS
- **Certification** UL, CE, FCC, CCC, BSMI
- **Enclosure** Die-cast flat-sealed front with SGCC Housing
- **Dimensions (W x H x D)**
 - IPPC-6152 :449.92 x 315.63 x 126.4 mm (17.71" x 12.43" x 4.98")
 - IPPC-6172: 481.93 x 355.87 x 132.5 mm (18.97" x 14.01" x 5.22")
 - IPPC-6192: 481.93 x 384.6 x 135.5 mm (18.97" x 15.14" x 5.33")
- **Mounting** Panel, Rack (option)
- **OS Support** Microsoft Windows 7, Windows 8
- **Power Input** 100 ~ 240 V_{AC} @ 60 ~ 50 Hz, 7 ~ 3.5 A
- **Power Supply** 350 W

System Hardware

- **CPU** Supports Intel® Core™ i7/i5/i3 processor (up to 3.1GHz)
- **Chipset** Intel Q87
- **Memory** System supports four DIMM sockets support up to 32 GB DDR3 1333/1600 MHz SDRAM
- **LAN** 10/100/1000 Base-T Ethernet x 2
- **Expansion** 2 x half-length PCI Slot installed.(1x two slot PCIe x1 riser optional)
- **Storage** Supports 2 x 2.5" SATA 2.0 or SATA 3.0 HDDs and RAID 0,1 compatibility
- **Optical Driver** 1 x Slim Type DVD-RW (optional)
CFast (optional)
- **I/Os** 4 (3 x RS-232, 1 x RS-232/422/485 to support auto flow control)
1 x GPIO
2 x Reservation ports
5 x USB Host(USB 2.0 front, 4 USB 3.0) 2 x GbE LAN
VGA x1; DVI x1; DP x1
2 (1 x keyboard and 1 x mouse)
2 (Mic-in, Line-out)

Features

- 15" XGA/17" SXGA/19" SXGA TFT LCD with touchscreen
- Supports Intel® Core™ i7/i5/i3 processor with Q87 chipset (up to 3.1GHz)
- System supports four DIMM sockets support up to 32 GB DDR3 1333/1600 MHz SDRAM
- Offers two expansion slots (PCIe riser card optional) for PCI (PCIe) add-on cards
- SATA 2.0 or SATA 3.0 HDDs and RAID 0,1 compatibility
- Front USB access and system reset function
- Front panel is IP65 compliant
- Supports Intel AMT 9.0 and Intel vPro competent
- Supports Microsoft® Windows® 8 and Windows 7
- Supports SUSIAccess and Embedded Software APIs
- Optional Functionality –CFast ,PCI/ PCIe expansion,DVD-ROM

LCD Display

- **Backlight Life** 50,000 hrs
- **Contrast Ratio**
 - IPPC-6152: 700:1
 - IPPC-6172:1000:1
 - IPPC-6192:1000:1
- **Display Size** 15", 17", 19"
- **Display Type**
 - IPPC-6152: XGA TFT LCD LED Backlight
 - IPPC-6172: SXGA TFT LCD LED Backlight
 - IPPC-6192: SXGA TFT LCD LED Backlight
- **Luminance**
 - IPPC-6152: 400 cd/m2
 - IPPC-6172: 350 cd/m2
 - IPPC-6192 : 350 cd/m2
- **Max. Colors**
 - IPPC-6152:16.2M/262K
 - IPPC-6172: 16.7M (RGB 6-bit + Hi-FRC data)
 - IPPC-6192:16.7M (RGB 6-bit + Hi-FRC data)
- **Max. Resolution**
 - IPPC-6152: 1024 x 768
 - IPPC-6172: 1280 x 1024
 - IPPC-6192: 1280 x 1024
- **Viewing Angle (H/V°)**
 - IPPC-6152:160/140
 - IPPC-6172: 170/160
 - IPPC-6192: 170/160

Touchscreen

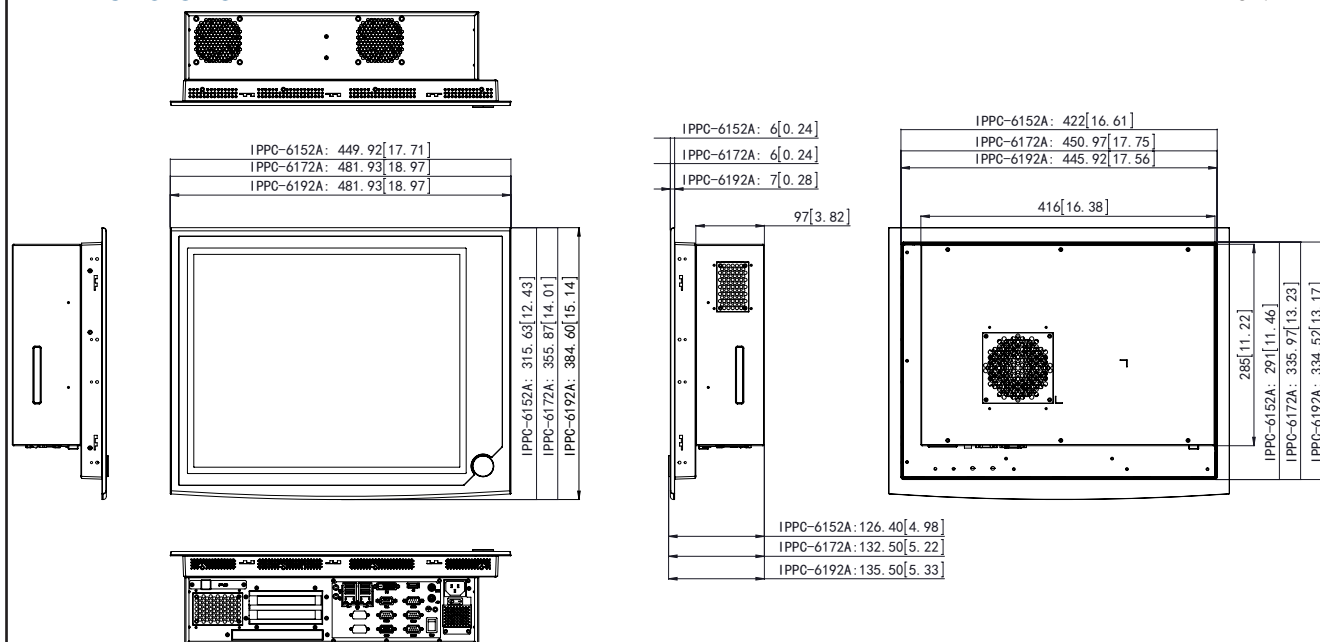
- **Lifespan** 36 million with a silicone rubber of R8 finger, writing rate is by 250g at 2 times/s
- **Light Transmission** > 80%
- **Type** Analog resistive 5-wire

Environment

- **Humidity** 5 ~ 85% @ 40°C (non-condensing)
- **Ingress Protection** Front panel: IP65
- **Operating Temperature** 0 ~ 50°C (32 ~ 122°F)
- **Storage Temperature** -20 ~ 60°C (-4 ~ 140°F)
- **Vibration Protection** 5 ~ 500 Hz, 1 Grms random vibration

Dimensions

Unit: mm



Panel Cut-out Dimensions:

IPPC-6152A: 424x293mm(16.69"x11.54")
IPPC-6172A: 454x338mm(17.87"x13.31")
IPPC-6192A: 454x338mm(17.87"x13.31")

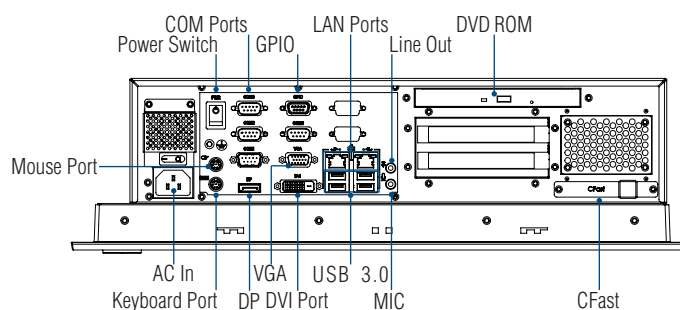
Ordering Information

- **IPPC-6152A-R2AE** 15" XGA LED Haswell 2PCIs w/ TS
- **IPPC-6172A-R2AE** 17" SXGA LED Haswell 2PCIs w/ TS
- **IPPC-6192A-R2AE** 19" SXGA LED Haswell 2PCIs w/ TS

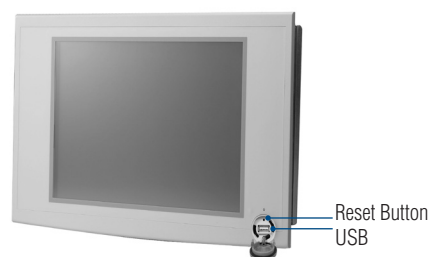
Accessories

- **IPPC-6152A-RMKE** IPPC-6152A Rack mount Kit
- **IPPC-6172A-RMKE** IPPC-6172A Rack mount Kit
- **IPPC-6192A-RMKE** IPPC-6192A Rack mount Kit
- **IPPC-6152-CFASTE** CFast module for IPPC-61x2 Haswell
- **IPPC-6152-PCIEE** PCIE module for IPPC-61x2 Haswell
- **1702002600** Power Cable US Plug 1.8 M
- **1702002605** Power Cable EU Plug 1.8 M
- **1702031801** Power Cable UK Plug 1.8 M
- **1702031836** Power Cable China/Australia Plug 1.8 M
- **96CB-POWER-B-1.8M1** POWER CORD for China 1.8M

I/O View



Front Accessible USB Port



CPU List

CPU Type List & Description		
Model Number	Advantech Part Number	Description
i7-4770S	96MPI7-3.1-8M10T	CORE 3.1G 8M 1150P 4 CORE I7-4770S
i7-4770TE	96MPI7-2.3-8M10T	CORE 2.3G 8M 1150P 4 CORE I7-4770TE
i5-4570S	96MPI5-2.9-6M10T	CORE 2.9G 6M 1150P 4 CORE I5-4570S
i5-4670S	—	CORE 3.8G 6M 4 CORE I5-4670S
i5-4570TE	96MPI5-2.7-4M10T	CORE 2.7G 4M 1150P 4 CORE I5-4570TE
i3-4330	96MPI3-3.5-4M10T	CORE 3.5G 4M 1150P 2CORE I3-4330
i3-4330TE	—	CORE 2.4G 3M 2 CORE I3-4330TE

Memory List

Memory Type List & Description		
Model Number	Advantech Part Number	Description
Transcend TS2KNU28100-3S	96D3-1G1333NN-TR1	1G DDR3-1333 240PIN 128X8 SAM(G)
Apacer 78.A1GC6.421	96D3-2G1333NN-AP	2G DDR3-1333 240PIN 128X8 ELP(G)
Kingston KVR1333D3N9/2G	96D3-2G1333NN-KI	2G DDR3-1333 240PIN 128X8 KIN(G)
Transcend TS5KNN28100-3Y	96D3-2G1333NN-TR1	2G DDR3-1333 240PIN 256X8 HYX(G)
Transcend TS5KNU28300-3S	96D3-2G1333NN-TR2	2G DDR3-1333 240PIN 128X8 SAM(G)
Transcend TS5KNN30100-6S	96D3-2G1600NN-TRL	2G DDR3-1600 240PIN 256X8 VLP SAM(G)
Apacer 78.B1GDE.AF1	96D3-4G1333NN-AP	4G DDR3-1333 240PIN 256X8 HYX(G)
Transcend TS7KNN28300-3Y	96D3-4G1333NN-TR	4G DDR3-1333 240PIN 256X8 HYX(G)
Transcend TS9KNH28300-6M	96D3-8G1600NN-TR	8G DDR3-1600 240PIN 512X8 MIC(G)