

IPC-7130L

Desktop/Wallmount Chassis for ATX/MicroATX Motherboard



CE FCC

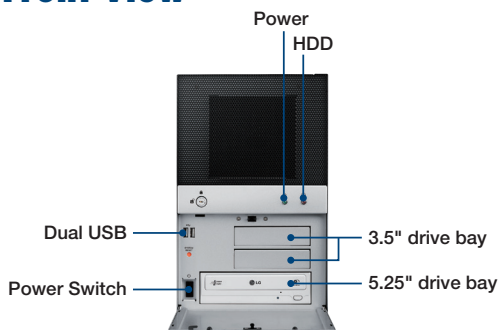
Features

- Stylish design with 7 expansion slots in the rear
- Shock-resistant drive bay holds one 5.25" disk drive and three 3.5" disk drives (two 3.5" HDD trays and one internal 3.5" drive bay)
- Lockable front door prevents unauthorized access
- LED indicators for Power and HDD activity
- Bidirectional options to mount chassis on the wall or workbench

Specifications

| | | | |
|--------------------------|------------------------|--|--|
| Disk Drive Bay | 5.25" | External 1 | Internal - |
| | 3.5" | 2 | 1 |
| Cooling | Fan | 1 (12 cm/73.8 CFM) | |
| | Air Filters | Yes | |
| I/O Interface | USB 2.0 | 2 (Front accessible) | |
| Miscellaneous | LED Indicators | Power, HDD | |
| | Front Panel | Power, HDD | |
| Environment | Temperature | Operating 0 ~ 40° C (32 ~ 122° F) | Non-operating -20 ~ 60° C (-4 ~ 140° F) |
| | Humidity | 10 ~ 85 % @ 40° C, non-condensing | |
| | Vibration (5-500 Hz) | 0.5 Grms | |
| | Shock | 10 G (with 11 ms duration, half sine wave) | 2 G |
| | | | 30 G |
| Physical Characteristics | Dimensions (W x H x D) | 200 x 320 x 480 mm (7.9" x 12.6" x 18.9") | |
| | Weight | 11.11 kg (24.49 lb) | |

Front View



Rear View

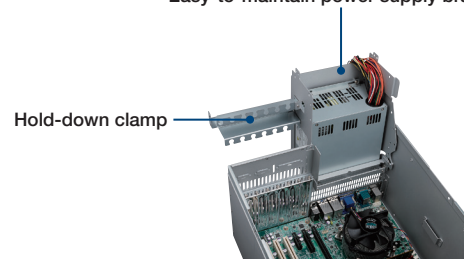


Inside View

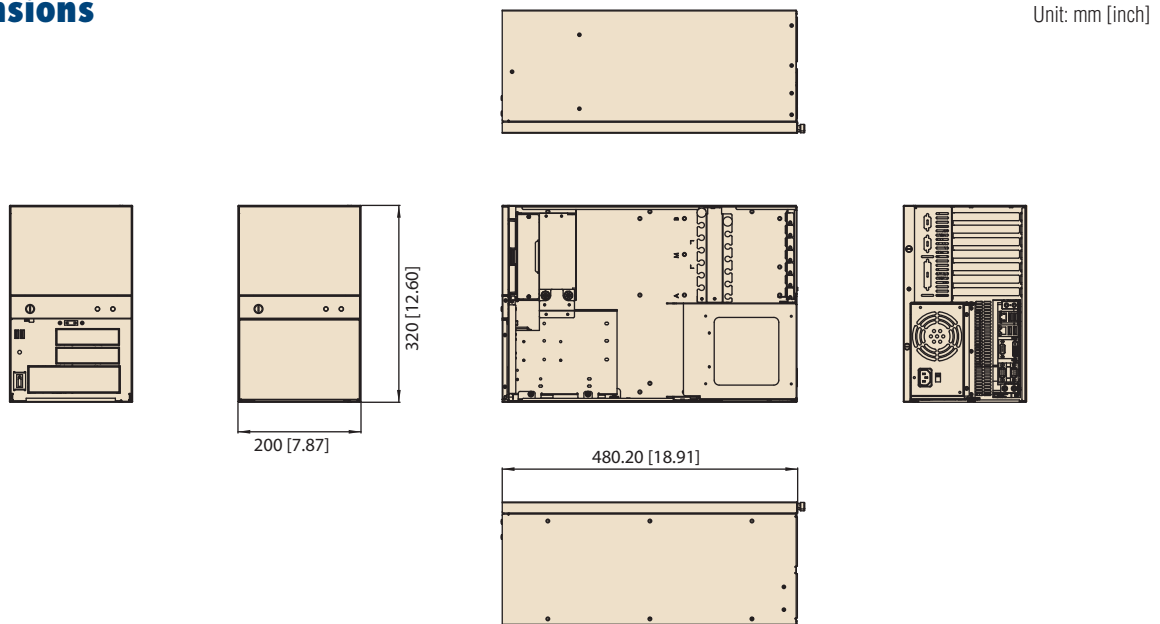


Dual External
3.5" HDD trays

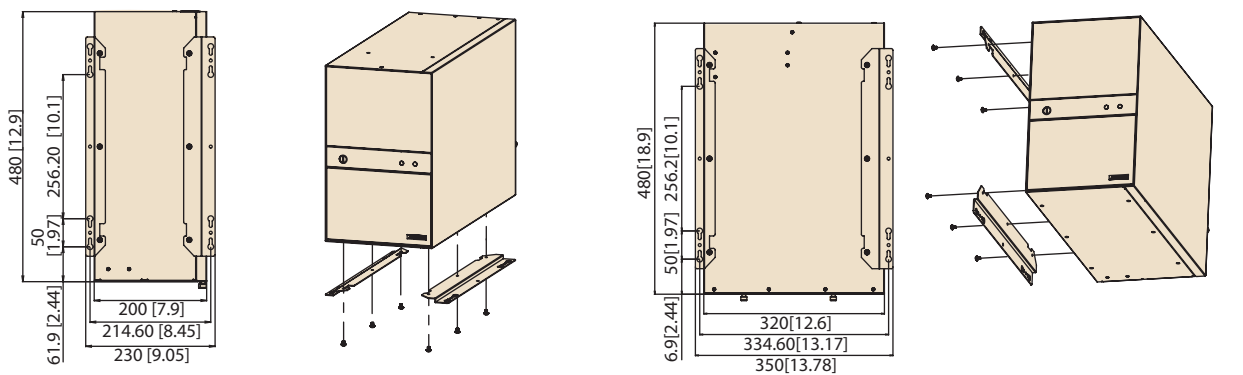
Easy-to-maintain power supply bracket



Dimensions



Installation



Ordering Information

| Part Number | Power supply | Wattage | Switch |
|----------------|---------------|---------|--------|
| IPC-7130L-00XE | - | - | ATX |
| IPC-7130L-30ZE | 96PS-A300WPS2 | 300W | ATX |

Optional Accessories

| Part Number | Description |
|--------------|---|
| 1750006045 | 73.84 CFM, System fan 120 x 120 x 25 mm |
| 1750006376 | 21.22 CFM, HDD fan 60 x 60 x 13 mm |
| IPC-DT-3120E | Mobile rack for converting a 3.5" drive bay to dual 2.5" SATA HDD trays |

Power Supply Options

| Part Number | 80 Plus Grade | Wattage | Type | Input |
|----------------|---------------|---------|---------------|----------------------------|
| PS8-400ATX-ZE | Bronze | 400W | Single | AC 100 ~ 240V (full range) |
| RPS8-350ATX-XE | Gold | 350W | 1+1 Redundant | AC 100 ~ 240V (full range) |
| RPS8-500ATX-XE | Bronze | 500W | 1+1 Redundant | AC 100 ~ 240V (full range) |